

6

5

4

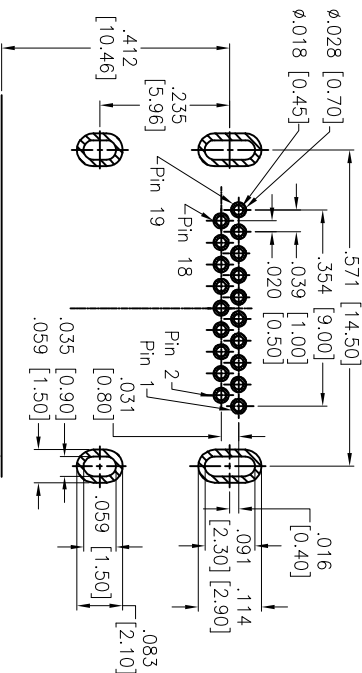
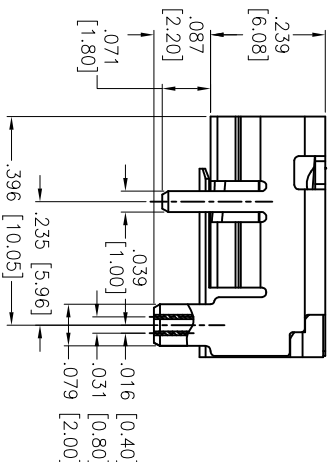
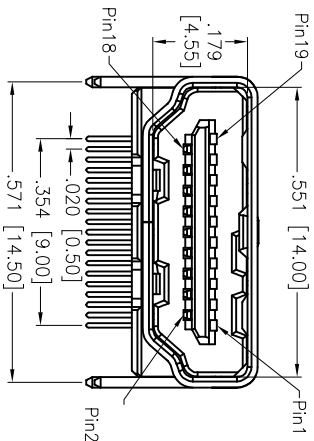
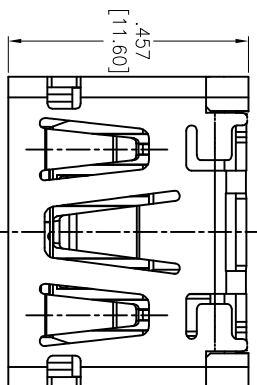
3

2

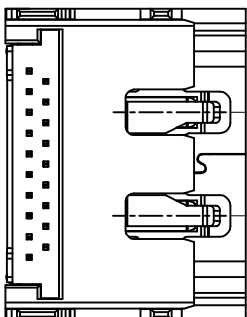
1

APPROVED: _____
 DATE: _____ TITLE: _____

Rev	AWO #	Description	Date	Appr
-		RELEASED	01/04/07	
A		REDRAWN	10/13/08	
B		REDRAWN	11/23/11	



RECOMMENDED PCB LAYOUT PCB EDGE



SPECIFICATIONS:

Material:
 Insulator: Hi-temp, glass filled, rated UL94V-0
 Insulator color: Black
 Contact: Copper Alloy
 Shell: Copper Alloy, Nickel plated
 Plating:
 Gold flash over Copper underplate

Electrical:
 Operating voltage: 40 VAC max
 Current rating: 0.5 Amps max.
 Contact resistance: 10 mOhms max.
 Insulation Resistance:
 Unmated: 100 mOhms min @ 500 VDC
 Mated: 10 mOhms min @ 150 VDC

Dielectric withstanding voltage: 500 VAC for 1 minute.
Temperature Rating:
 Operating temperature: -20°C to +85°C
 Environmental:
 Lead free, RoHS Compliant

A

B

C

D

A

B

C

D

ADAM TECH

909 Rahway Avenue, Union, NJ 07083
 Phone: 908-687-5000 Fax: 908-687-5710

HDMI, RIGHT ANGLE, DIP CONNECTOR

UNLESS OTHERWISE SPECIFIED ALL DIMENSIONS ARE INCHES [MM]	
TOLERANCES: EXCEPT AS NOTED	
INCHES	HOLES
.X ± .10	ØXX ± .10
.XX ± .020	ØXXX ± .015
.XXX ± .015	ØXXX ± .010
APPROVALS	DATE
DRAWN	BW
CHECKED	
APPROVED	
	01/04/07

SIZE	PART NO.	REV.
X	HDMI-S-RA-1	B
REF:	S00015C	SHEET 1 OF 1
SCALE:	NTS	

6

5

4

3

2

1

